

MyGuardian Home (XC-8000) Specification



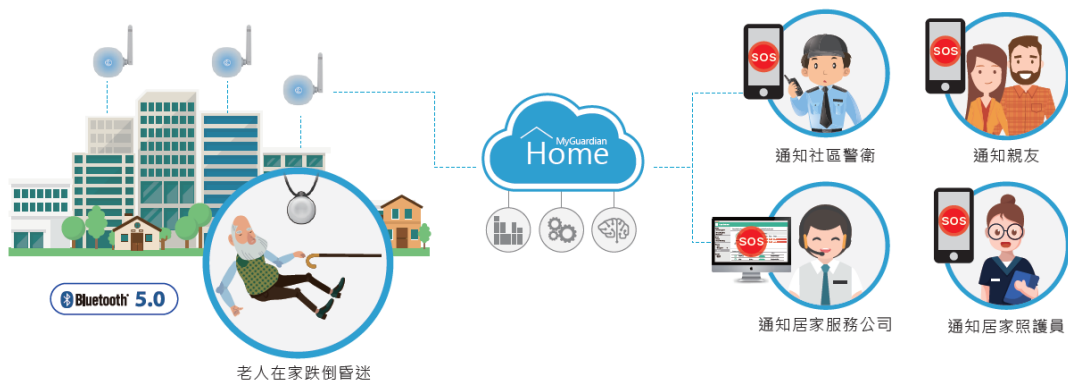
Version: 1.1

Date: 2023/10/15

1. Brief introduction

MyGuardian Home (Model: XC-8000) is a state-of-art BT 5.0 portable emergency help product designed for the elderly people. In addition to the SOS one-click passive call design, it provides a fall detection active call to help many children or personal caregivers take care of elderly people who are alone and in danger of falling and safety.

If the elderly fall accident or need special assistance, the cloud server will issue a network alarm to the caregivers (the caregivers must install APP) to ensure the safety and living of your family.



2. XC-8000 product portfolio

XC-8000 consists of 2 devices:

- ❶ XC-209H Bluetooth necklace (XC-8000 only)
- ❷ XC-7107 Communicator



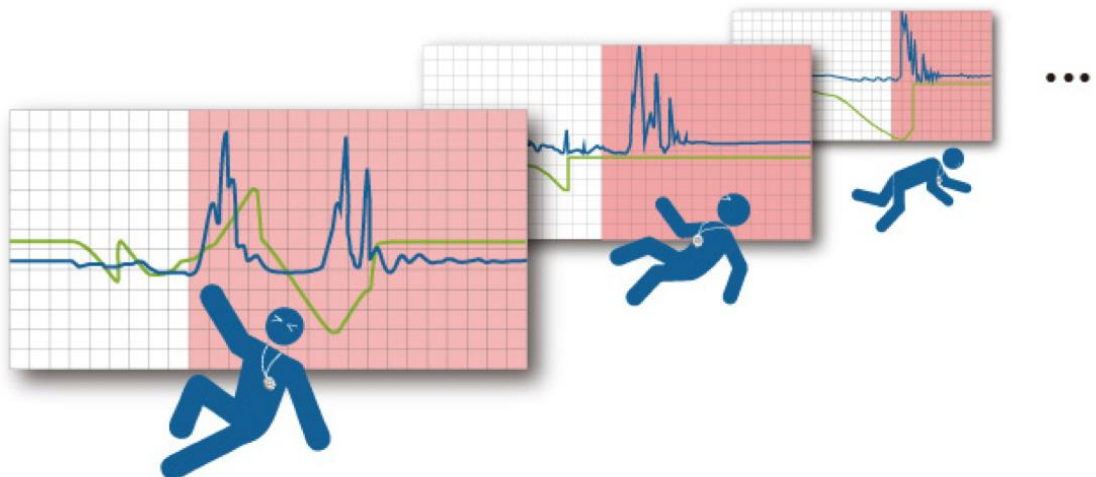
❶ XC-209H

❷ XC-7107

3. Function and application specifications

- **High accuracy fall detection:** Bluetooth necklace has a built-in high accuracy & low false alarm rate fall detection algorithm, which is the core technology of company. HoneyCare has invested years of efforts to analyze big data for various fall patterns and daily life patterns has obtained national patents.

HoneyCare is already the world's leader in fall detection technology.





跌倒自動通報

縮短黃金緊急救援時間

96.5%

高精準辨別率

自动跌倒侦测警报



- **Emergency Call:** Intuitive one-button call for help (press for 2 seconds until the LED lights up), the system will send an SOS alert notice to caregivers' mobile APP.



不需尋找手機



一鍵呼救

需要幫助 立即按下求救鍵



- **Ultra-long transmission distance:** Bluetooth 5.0 technology, the transmission distance is up to 150 meters under barrier-free.

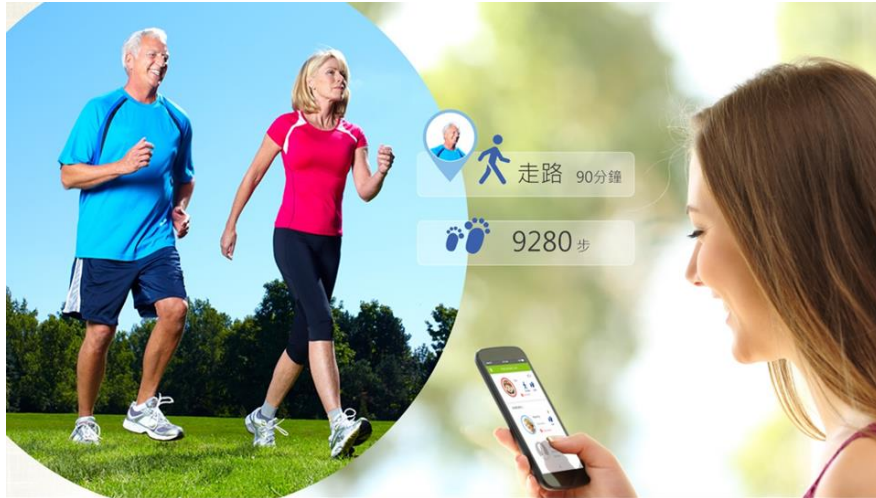


Bluetooth 5.0

藍牙5.0傳輸距離遠

傳輸距離可達150米，穿牆能力強，
可跨樓層使用

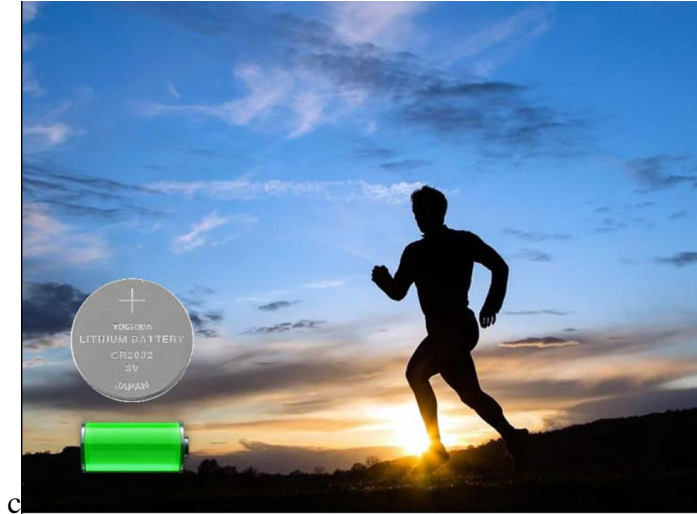
- **Step counting function:** The step counting function of the Bluetooth necklace is displayed on the caregiver's APP to understand the wearer's daily life Walking activities, whether they are within a healthy and reasonable range.



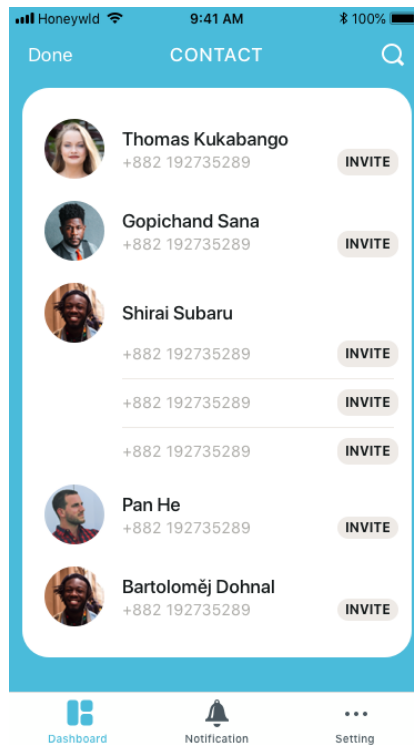
- **Waterproof function:** The waterproof design of the Bluetooth necklace meets IPX7 standard, which can be worn by the elderly even when bathing use, security protection 24 hours without interruption.



- **Long use time:** HoneyCare's optimization technology on Bluetooth necklace power consumption, a CR2032 coin cell battery is about enough use for 8 months.



- **Caregivers:** The APP sets multiple caregivers (up to 8 for emergency notification recipients) through the mobile phone book.



4. Technical Specifications

● **XC-209H** Bluetooth necklace (XC-8000 exclusive).

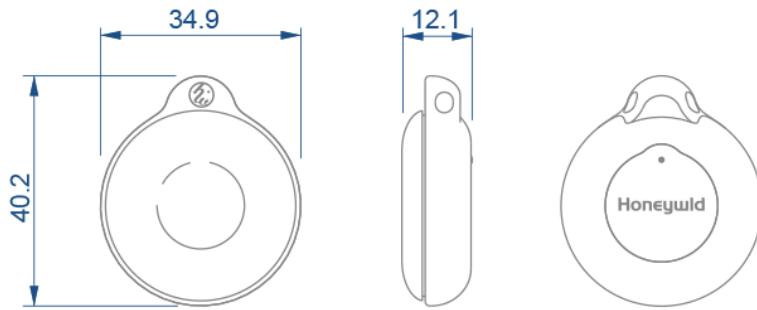
Product Specification		
Bluetooth	Bluetooth 5.0	
	Maximum Transmission Distance (Open Space)	150M
Fall Detection	96.5% precision rate	0.3% fault alarm
Button	Emergency key	
Send SOS Notification	Triger method	1. Press SOS button 2 sec or 2. Fall is detected
LED	2 color LED (blue and red)	
Dimension	40.2mmx34.9mmx12.1mm	
Weight	18g	
Battery	CR2032	
Using time	8 months (Normally case)	
Battery detection	Low battery warning (<20%)	
Waterproof	IPX7	
Environmental Compliance		
Operating Temperature	-10~50°C	
Storage Temperature	-20°C to 50°C	
Humidity	0% ~ 95%	

XC-7107 Communicator

Product Specification		
Bluetooth	Bluetooth 5.0	
	Maximum Receiving Distance (Open Space)	150M
Wi-Fi	<ul style="list-style-type: none"> ● 802.11b/g/n compatible WLAN ● 802.11e QoS Enhancement(WMM) ● 802.11i(WPA, WP2). Open, shared key, and –pair-wise key authentication services ● Wi-Fi Direct support ● Light Weight TCP/IP protocol 	
Button	Reset key	
LED	2 color LED (blue and red)	
Dimension	64.4mmx48.0mmx18.8mm	
Weight	24.0g	
Power	Power adapter or USB power Slot	
Environmental Compliance		
Operating Temperature	-10~50°C	
Storage Temperature	-20°C to 50°C	
Humidity	0% ~ 95%	

5. Appearance dimension drawing

- ① XC-209H Bluetooth Necklace (XC-8000 exclusive) (Indication unit: mm).



- ② XC-7107 Communicator (Indicated Unit: mm).

