

# ASUS IoT TeleHealth Cart



## Features

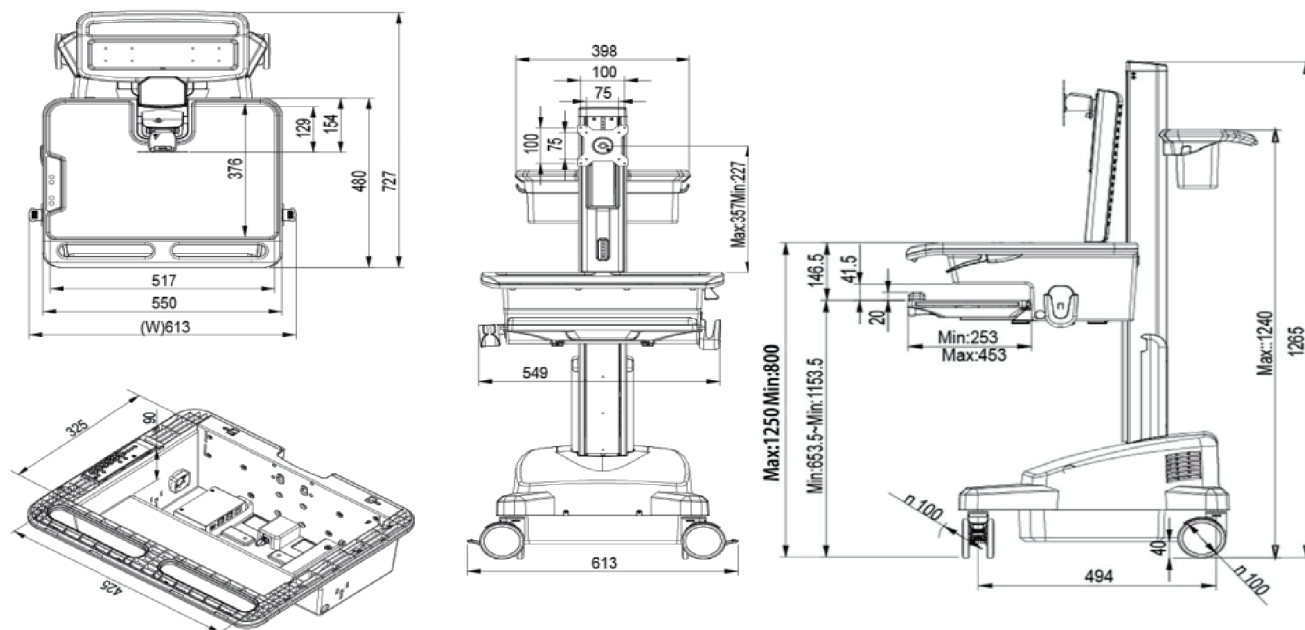
- PTZ camera with remote control
- Echo cancellation speakermic
- 21.5" Full HD touch screen
- Battery run time up to 8 hours
- One-stop solution for telehealth cart
- HIPAA-Compliant group video call

## Specifications

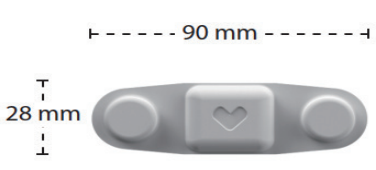
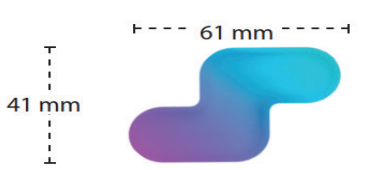

<b>Cart</b>	Size (L x W x H): 613 x 727 x 1265 mm Casters: 4 (Front 2 with locking) Height Adjustment Range: 800~1250mm Display Holder: Vesa 75/75mm; 100x100mm; Max. Weight Load: 8kg Working Space: 482 x 261mm; Max Load: 7.5kg Control Panel: LED for power and status indicators Keyboard and Mouse Area: 449 x 207 mm with mouse holder Scanner Holder: Yes
<b>Power System</b>	Input Voltage: AC-in 120V 60 Hz or 230V 50Hz Batteries - Lead Acid: DC out with SLA 33Ah x 2pcs Cables: Pre-routed
<b>PTZ Camera</b>	Resolution: Full HD 1080P 30fps Zoom: 10X HD Zoom FoV: 90° Interface: USB
<b>WebCam</b>	Resolution: Full HD 1080P 30fps FoV: 78° Interface: USB
<b>Speakermic</b>	Built-in echo cancellation for best sounds even at max volume level High quality audio for best call experience Ideal for the meeting up to 4 participants
<b>Display</b>	Size: 21.5" Full HD IPS technology ASUS Eye Care monitors feature Flicker-free and Low Blue Light technologies 10-point multi-touch capacity
<b>PC</b>	Size: 115 x 115 x 49 mm, Ultra small size CPU: Intel Core i5-10210U Memory: 4GB Wifi: Wifi 6+BT 5.0 HDD: 128G SSD OS: Win10 I/O: COM Port for scanner, HDMI2.0 and DP for dual display

## Base cart Dimensions

Unit: mm

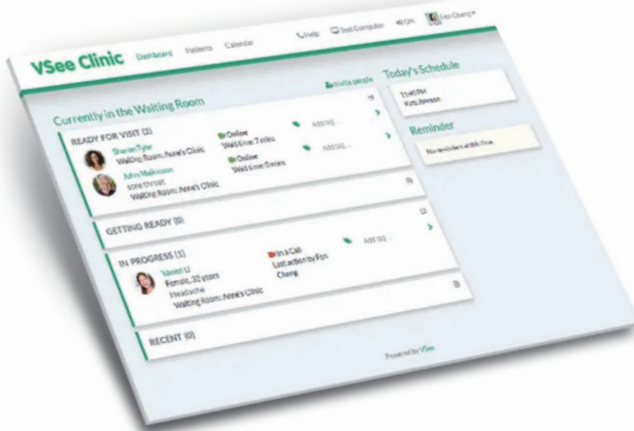
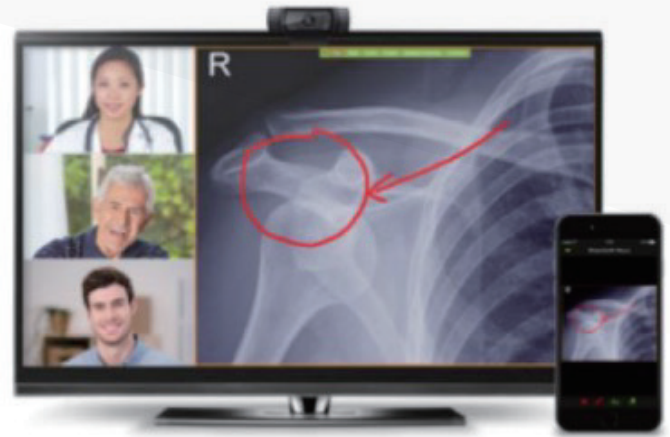


## Wearable Medical Sensor

Item	Multi-function ECG Patch	Temperature Patch	SpO2 (Pulse oximetry)
Photo			
Weight	7.5g	7.3g	47.5g
Dimension	90 x 28 x 7.9 mm	61 x 41 x 5.5 mm	Asymmetric
Sampling frequency	Heart Rate Sampling: 1/sec Respiratory Sampling: 1/sec ECG: 128Hz Accelerometer: 5Hz	Temperature Sampling: 1 every 12 sec live 1 every 5 min cache	SpO2 Sampling: 1 every 4 sec Pulse Rate Sampling: 1 every 4 sec
Accuracy	Heart Rate Range: 40~300 BPM±0.3% at rest Respiratory Range: 5~35 BrPM±3 BrPM	Temperature Range: ±0.1 between 37°C to 39°C ±0.2 between 34°C to 37°C and 39°C to 43°C Pulse range: 30 to 250 BPM	SpO2 Range: 70% to 100% ±2% between 80% to 100% ±3% between 70% to 79% Pulse range: 30 to 250 BPM
Battery Life	Up to 96 hours per charge	Up to 21 days per charge	Up to 16 hours per charge
Water Resistance	IP25	IP25	IP22
Placement	Chest	Under Arm	Thumb/wrist

## VSee Messenger

- **Secure HD Video**  
256-bit AES encryption that allows providers to see their patients securely
- **Lossless Screen Share and Live Annotation**  
Share images among providers, patients and other clinical staff in real-time
- **Far-end PTZ (Pan-Tilt-Zoom) Camera control**  
Remote physicians can control a PTZ camera at the patient's end to get clear close-ups for exam



## Workflow Management

- **Virtual Waiting Room**  
Get mobile notifications when a patient is ready
- **Staffing Management**  
Including room assignments and scheduling, appointment slot creation and management
- **Additional Modules**  
Payment, Medical history, diagnosis note

## Backend Management

- **Manage users and devices**  
Including providers, patients, remote medical devices and administrators
- **Set visit payment amounts, generate invoices**
- **Manage call recordings**
- **Check admin dashboard with graphic call reports – export in tabular form**

